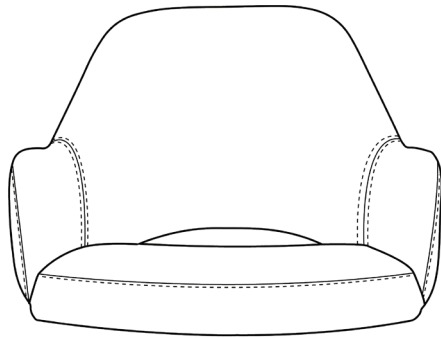


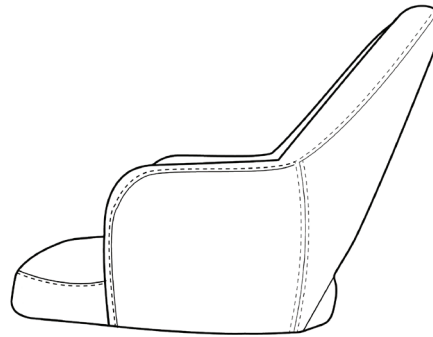
# ALBURY XL METERAGE

Plain Fabric or Vinyl

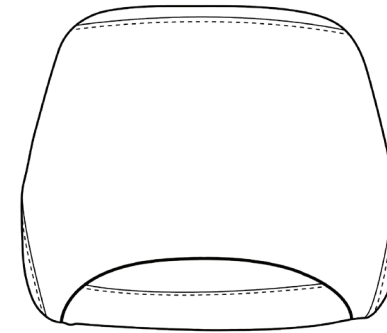
**MINIMUM ROLL WIDTH:** 1350mm    **1 ROLL COMPLETE SHELL:** 16pcs (anything over will need a margin factored into calculations)



**FRONT**



**SIDE**

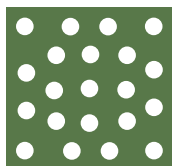


**BACK**

LM / PC		1pc	2pc	3pc	4pc	5pc	6pc	7pc	8pc	9pc	10pc
<b>OPTION 1</b>	Complete Shell	1.9	3.7	5.6	7.4	9.3	11.1	13.0	14.8	16.7	18.5
<b>OPTION 2</b>	Seat	0.8	1.3	2.3	2.6	3.9	3.9	5.2	5.2	6.5	6.5
	Back	1.3	2.5	3.8	5.0	6.3	7.5	8.8	10.0	11.3	12.5
<b>OPTION 3</b>	Seat	0.8	1.3	2.3	2.6	3.9	3.9	5.2	5.2	6.5	6.5
	Face of Back	0.8	1.2	2.3	2.3	3.5	3.5	4.6	4.6	5.8	5.8
	Back of Back	0.9	1.3	2.6	2.6	3.9	3.9	5.2	5.2	6.5	6.5

\*ALWAYS contact the sales team to confirm meterage (especially for high volume orders)

[View Catalogue -->](#)

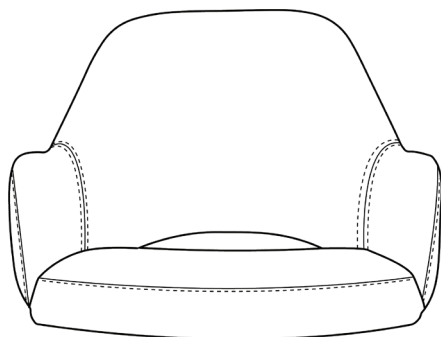


# ALBURY XL METERAGE

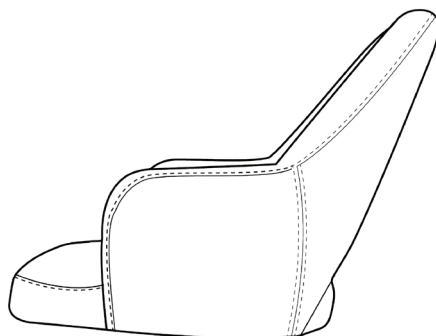


Small Pattern / Split / Velvet / With Backing Fabric or Vinyl

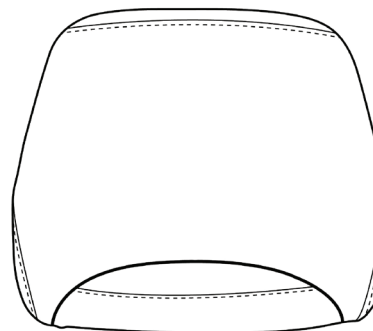
**MINIMUM ROLL WIDTH:** 1350mm    **1 ROLL COMPLETE SHELL:** 13pcs (anything over will need a margin factored into calculations)



**FRONT**



**SIDE**

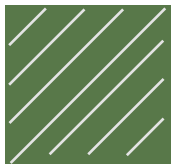


**BACK**

LM / PC		1pc	2pc	3pc	4pc	5pc	6pc	7pc	8pc	9pc	10pc
<b>OPTION 1</b>	Complete Shell	2.3	4.4	6.7	8.8	11	13.3	15.6	17.7	20	22
<b>OPTION 2</b>	Seat	1	1.6	2.7	3.1	4.7	4.7	6.2	6.2	7.8	7.8
	Back	1.6	3	4.5	6	7.5	9	10.5	12	13.5	15
<b>OPTION 3</b>	Seat	1	1.6	2.7	3.1	4.7	4.7	6.2	6.2	7.8	7.8
	Face of Back	1	1.5	2.8	2.8	4.2	4.2	5.5	5.5	7	7
	Back of Back	1.1	1.6	3.1	3.1	4.7	4.7	6.2	6.2	7.8	7.8

\*ALWAYS contact the sales team to confirm meterage (especially for high volume orders)

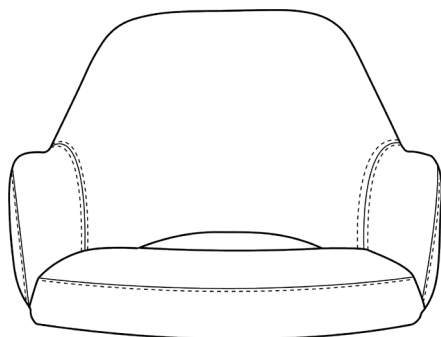
[View Catalogue -->](#)



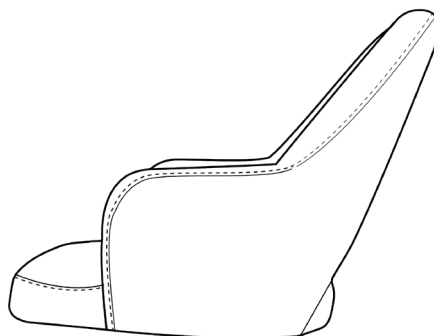
# ALBURY XL METERAGE

Large Pattern / Striped Fabric or Vinyl

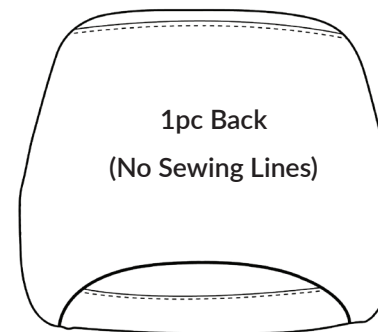
MINIMUM ROLL WIDTH: 1350mm



FRONT



SIDE



BACK

LM / PC		1pc	2pc	3pc	4pc	5pc	6pc	7pc	8pc	9pc	10pc
OPTION 1	Seat	1	1.6	2.7	3.1	4.7	4.7	6.2	6.2	7.8	7.8
	Face of Back	1	1.5	2.8	2.8	4.2	4.2	5.2	5.2	7	7
	Back of Back (1 Piece)	1.5	2	3.5	3.5	5.2	5.2	6.8	6.8	8.6	8.6

\*ALWAYS contact the sales team to confirm meterage (especially with long vertical pattern repeats).

\*Additional meterage will be required for panel pattern matching or fabric with long vertical repeats.

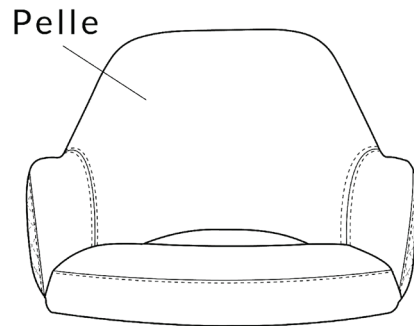
[View Catalogue -->](#)



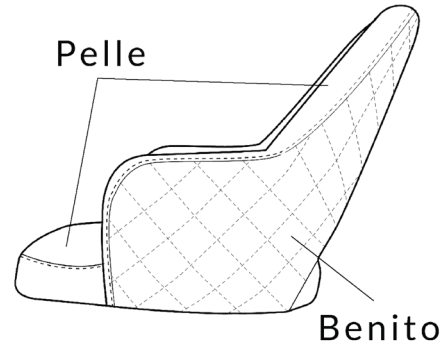
# ALBURY XL METERAGE

Pelle and Benito

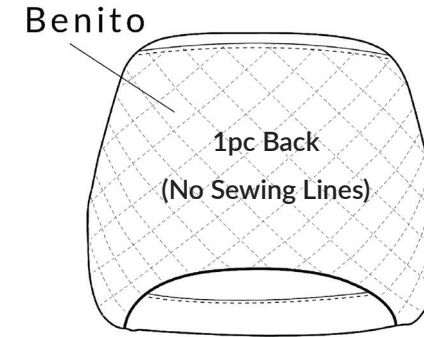
Meterage based on Pelle being on the seat and face of back and Benito being on the back of back.



**FRONT**



**SIDE**



**BACK**

LM / PC		1pc	2pc	3pc	4pc	5pc	6pc	7pc	8pc	9pc	10pc
<b>OPTION 3</b>	Seat	0.8	1.3	2.3	2.6	3.9	3.9	5.2	5.2	6.5	6.5
	Face of Back	0.8	1.2	2.3	2.3	3.5	3.5	4.6	4.6	5.8	5.8
	Back of Back (1 Piece)	1.1	1.6	3.1	3.1	4.7	4.7	6.2	6.2	7.8	7.8

\*ALWAYS contact the sales team to confirm meterage (especially for high volume orders)

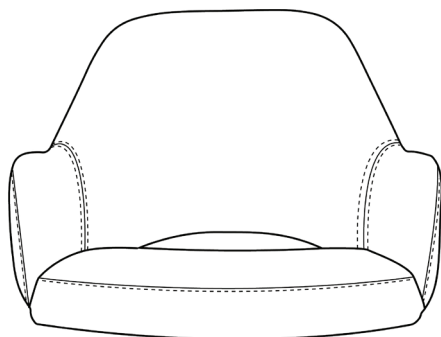
[View Catalogue -->](#)



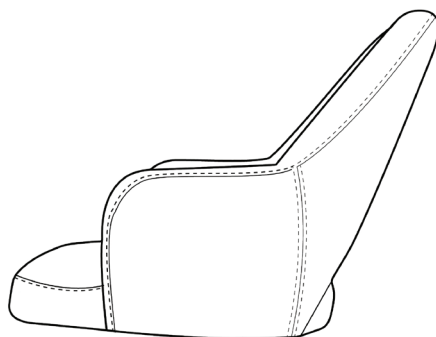
# ALBURY XL METERAGE

Leather Hide

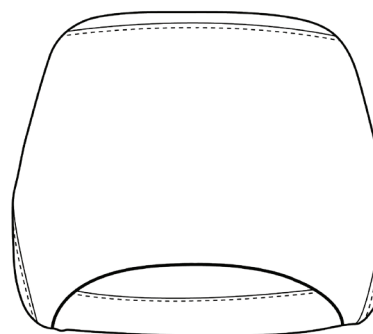
**AVERAGE HIDE SIZE:** 4-5m<sup>2</sup> (Number of hides required is subject to hide meterage). Our leather M<sup>2</sup> includes a wastage factor due to variation in hide shapes & presence of natural markings.



**FRONT**



**SIDE**



**BACK**

M <sup>2</sup> / PC		1pc	2pc	3pc	4pc	5pc	6pc	7pc	8pc	9pc	10pc
<b>OPTION 1</b>	<i>Complete Shell</i>	3	6	9	12	15	18	21	24	27	30

\*ALWAYS contact the sales team to confirm meterage (especially for high volume orders)

[View Catalogue -->](#)